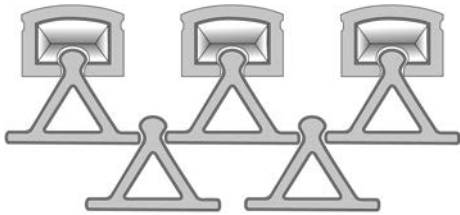




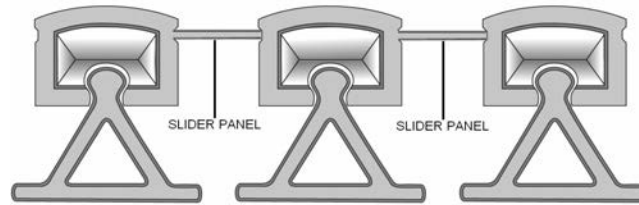
TOP VIEW OF CONFIGURATION



TOP VIEW OF CONFIGURATION WITH SECONDARY BLOCK EXTENSIONS



ReMblok 30



Available In Sand or Grey Colour



ReMblok 30



ReMaCon Products.cc

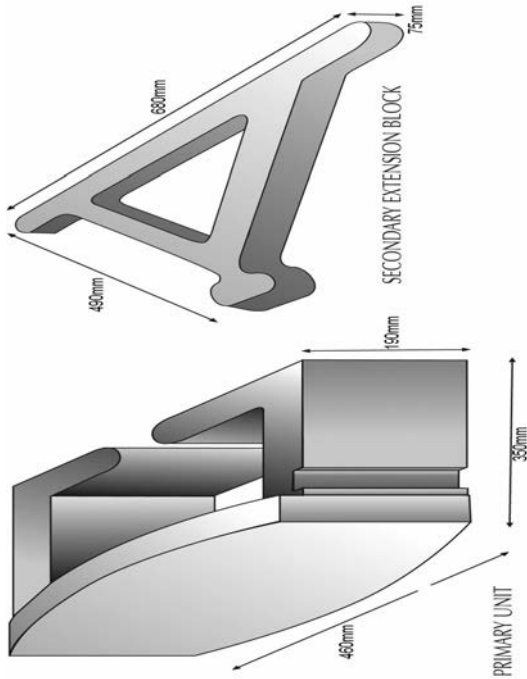


Retaining Wall Blocks

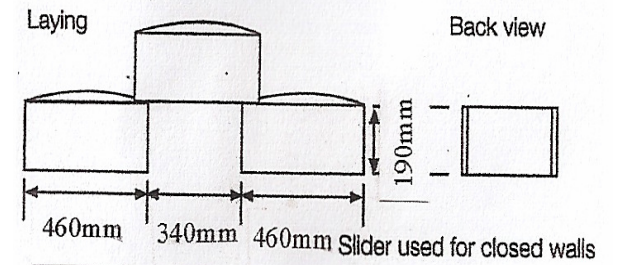


Also Available In Rock Face





TECHNICAL DATA	
Number of blocks per m ²	6.6
Mass per block	+/- 36kg
Filled block mass	+/- 60kg
Length	350mm
Width	460mm
Height	190mm
Standard all angle	75°



ReMaCon Products.cc



TEL: 011 393 5504
FAX: 011 393 5502

EMAIL: REMACON@TELKOMSA.NET

WEBSITE: WWW.REMACON.CO.ZA